

TSUBAKI KABELSCHLEPP GmbH

Daimlerstraße 2
D-57482 Wenden-Gerlingen
Fon: +49 2762 4003-0
Fax: +49 2762 4003-220
E-mail: info@kabelschlepp.de
kabelschlepp.de

Spare parts list

BASIC-LINE

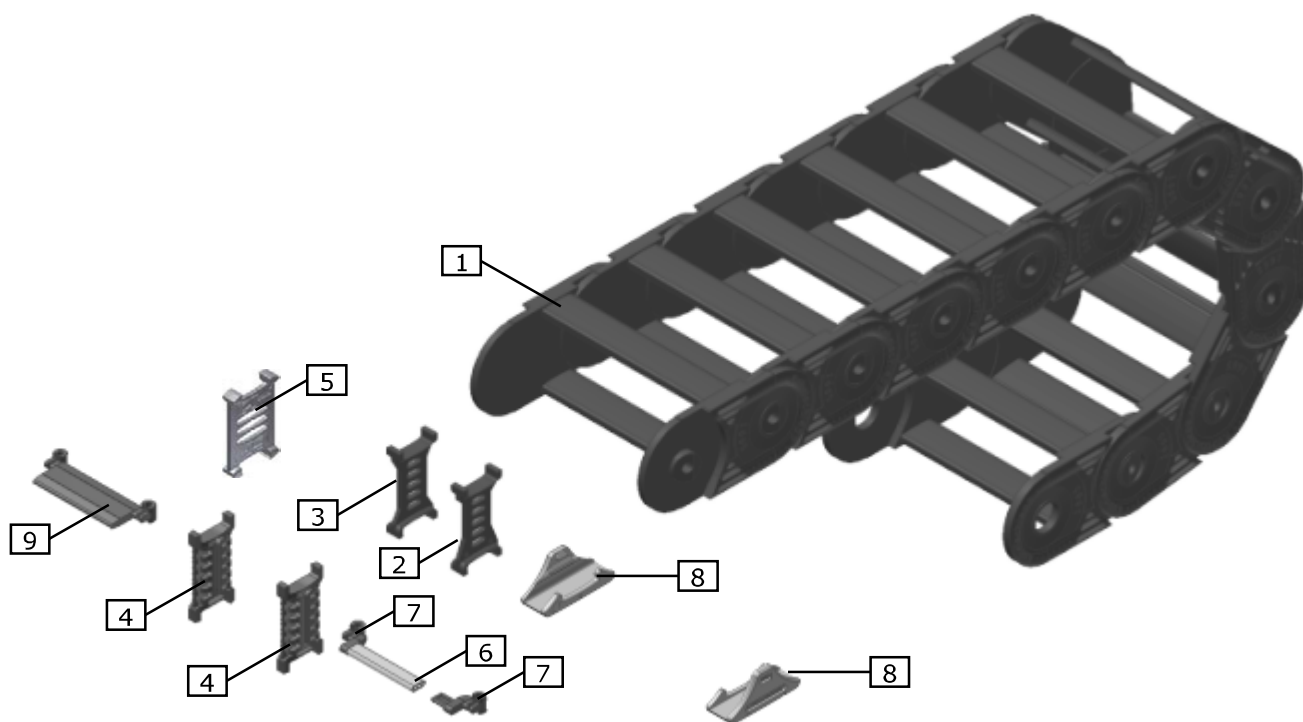
Solid plastic cable carriers with fixed chain widths

UNIFLEX *Advanced* 1665

Type	Page
1665.020	2
1665.030	3
1665.040	4
1665 Mounting stay	5
Connectors 1665	6
Connectors 1665 made of steel	7
Accessories: Quick Opening Tool	8

1665.020

With fixed brackets.



Item	Description	KR 075	KR 100	KR 120	KR 140	KR 200	KR 250	KR 300
1 ¹	1665.020.050	57100	57101	57102	57103	57104	57105	57106
	1665.020.075	57107	57108	57109	57110	57111	57112	57113
	1665.020.100	57114	57115	57116	57117	57118	57119	57120
	1665.020.125	57128	57129	57130	57131	57132	57133	57134
	1665.020.150	57135	57136	57137	57138	57139	57140	57141
	1665.020.175	57142	57143	57144	57145	57146	57147	57148
	1665.020.200	57149	57150	57151	57152	57153	57154	57155
	1665.020.225	57156	57157	57158	57159	57160	57161	57162
	1665.020.250	57163	57164	57165	57166	57167	57168	57169

Item	Description / Remarks	Mat.-No.
2	Divider 1665 not fixed / standard, TS 0, S _T = 3 mm	57327
3	Divider 1665 fixed / grid 2.5 mm, TS 0, S _T = 3 mm	57328
4	Divider 1665 / for height separation with horizontal divider TS 3, S _T = 8 mm	57329
5	Twin-Divider 1665 / for height separation with horizontal divider TS 3, S _T = 3 mm	57375
6	Al-hollow profile 11 x 4, for height separation TS 3 ²	5803
7	Adapter for Al-horizontal divider / with Al-hollow item 5 and divider item 4 ^{3,4}	72500
8	Glide shoe 1665 / KRmin = 100 mm	72245

Item	Plastic horizontal divider for height separation with divider item 4 ⁴								
9	center-to-center a_x	16	18	23	28	32	33	38	43
	Material No.	71514	52580	52581	52582	71515	52583	52584	52585
	center-to-center a_x	48	58	64	68	78	80	88	96
	Material No.	71516	52587	71517	52588	52589	71518	52590	71519
	center-to-center a_x	112	128	144	160	176	192	208	–
Material No.	71520	71521	71522	71523	71524	71525	71526	–	

¹ Material number for 1 piece cable carrier assembled, 15 chain links = 1000 mm

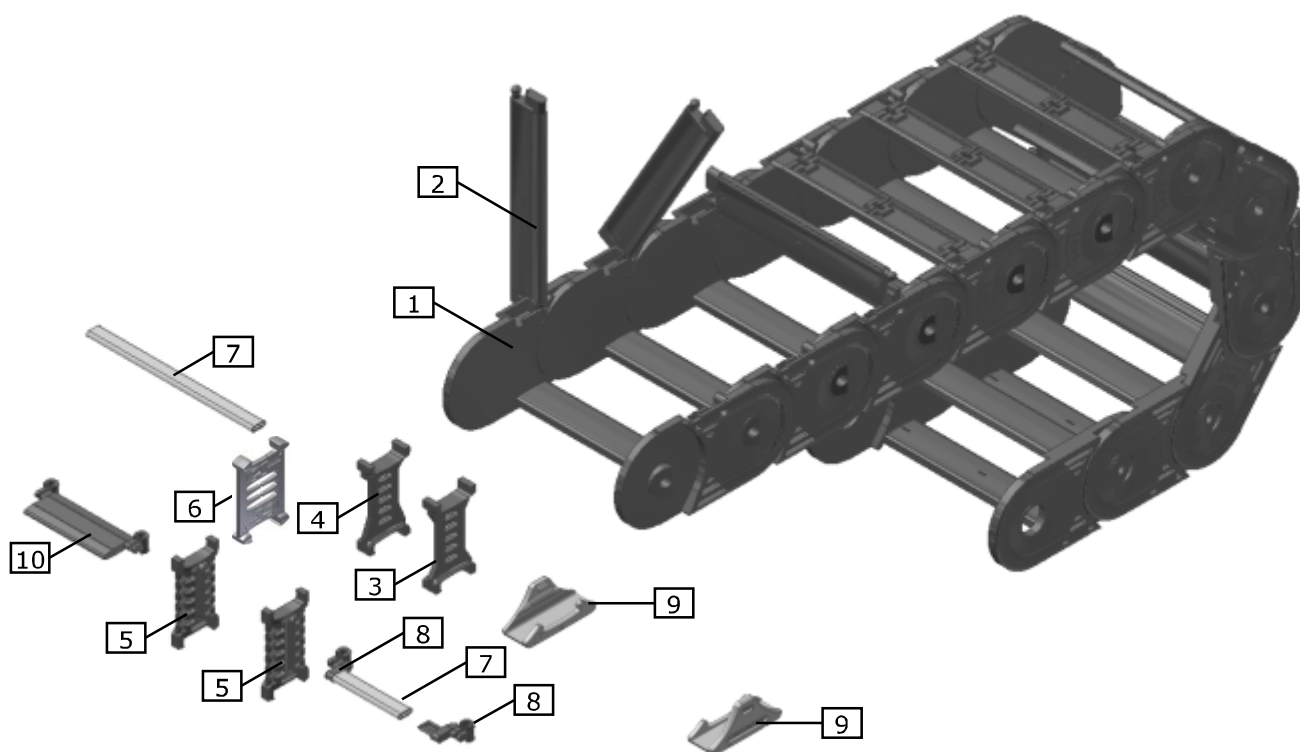
² Please indicate length at order, max. 3 m

³ L(Al-hollow profile) = a_x – 18 mm, a_{x, min} = 42 mm

⁴ Chamber width = a_x – 8 mm, a_x = center-to-center dividers, thickness: 4 mm

1665.030

Outside: Hinged, openable and detachable brackets.



Item	Description	KR 075	KR 100	KR 120	KR 140	KR 200	KR 250	KR 300	Bracket ¹
1 ²	1665.030.050	57170	57171	57172	57173	57174	57175	57176	57310
	1665.030.075	57177	57178	57179	57180	57181	57182	57183	57311
	1665.030.100	57184	57185	57186	57187	57188	57189	57190	57312
	1665.030.125	57198	57199	57200	57201	57202	57203	57204	57314
	1665.030.150	57205	57206	57207	57208	57209	57210	57211	57315
	1665.030.175	57212	57213	57214	57215	57216	57217	57218	57316
	1665.030.200	57219	57220	57221	57222	57223	57224	57225	57317
	1665.030.225	57226	57227	57228	57229	57230	57231	57232	57318
	1665.030.250	57233	57234	57235	57236	57237	57238	57239	57319

Item	Description / Remarks	Mat.- No.
3	Divider 1665 not fixed / standard, TS 0, TS 1, S _T = 3 mm	57327
4	Divider 1665 fixed / grid 2.5 mm, TS 0, TS 1, S _T = 3 mm	57328
5	Divider 1665 / for height separation with horizontal divider TS 3, S _T = 8 mm	57329
6	Twin-Divider 1665 / for height separation with horizontal divider TS 3, S _T = 3 mm	57375
7	Al-hollow profile 11 x 4, for height separation TS1 (L = B ₁ - 1 mm), TS 3 ³	5803
8	Adapter for Al-horizontal divider / with Al-hollow item 6 and divider item 5 ^{4,5}	72500
9	Glide shoe 1665 / KR _{min} = 100 mm	72245

Item	Plastic horizontal divider for height separation with divider item 5 ⁵								
10	center-to-center a_x	16	18	23	28	32	33	38	43
	Material No.	71514	52580	52581	52582	71515	52583	52584	52585
	center-to-center a_x	48	58	64	68	78	80	88	96
	Material No.	71516	52587	71517	52588	52589	71518	52590	71519
	center-to-center a_x	112	128	144	160	176	192	208	-
Material No.	71520	71521	71522	71523	71524	71525	71526	-	

¹ Item 2: Material number for 1 single part

² Material number for 1 piece cable carrier with brackets assembled, 15 chain links = 1000 mm

³ Please indicate length at order, max. 3 m

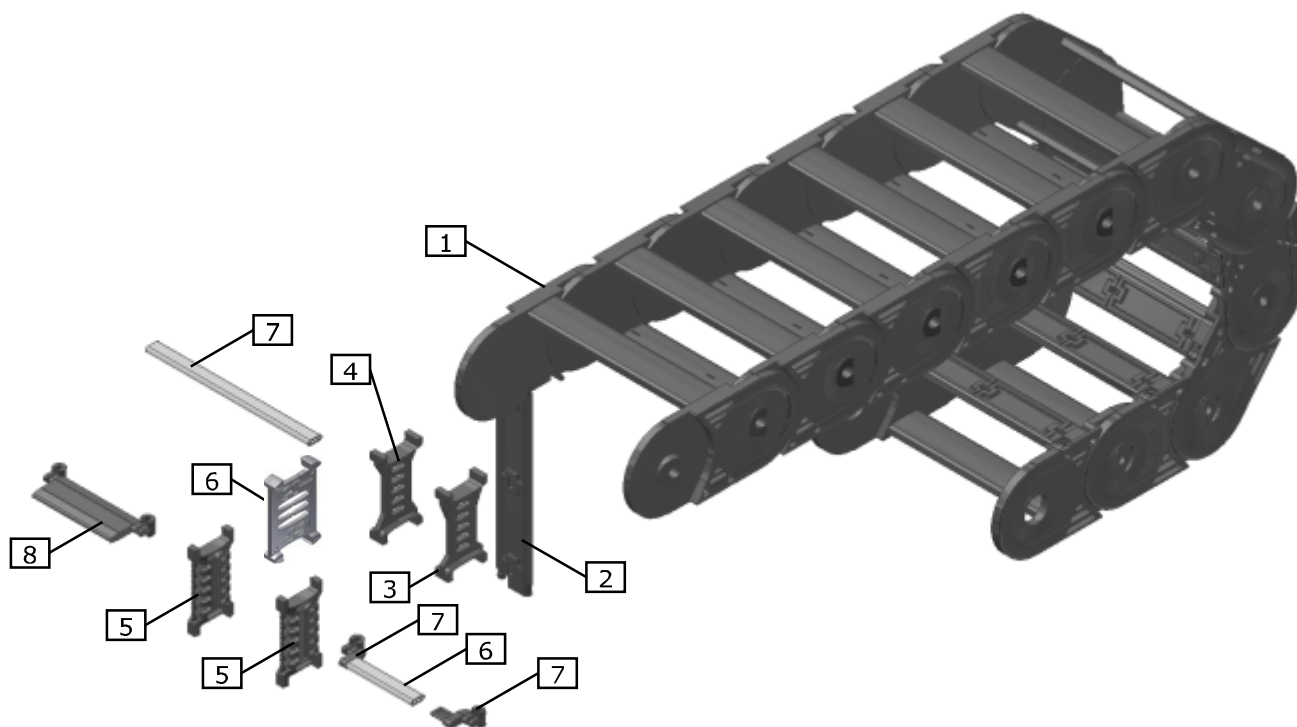
⁴ L(Al-hollow profile) = a_x - 18 mm, a_{x, min} = 42 mm

⁵ Chamber width = a_x - 8 mm, a_x = center-to-center dividers, thickness: 4 mm

Subject to change.

1665.040

Inside: Hinged, openable and detachable brackets.



Item	Description	KR 075	KR 100	KR 120	KR 140	KR 200	KR 250	KR 300	Bracket ¹
1 ²	1665.040.050	57240	57241	57242	57243	57244	57245	57246	57310
	1665.040.075	57247	57248	57249	57250	57251	57252	57253	57311
	1665.040.100	57254	57255	57256	57257	57258	57259	57260	57312
	1665.040.125	57268	57269	57270	57271	57272	57273	57274	57314
	1665.040.150	57275	57276	57277	57278	57279	57280	57281	57315
	1665.040.175	57282	57283	57284	57285	57286	57287	57288	57316
	1665.040.200	57289	57290	57291	57292	57293	57294	57295	57317
	1665.040.225	57296	57297	57298	57299	57300	57301	57302	57318
	1665.040.250	57303	57304	57305	57306	57307	57308	57309	57319

Item	Description / Remarks	Mat.-No.
3	Divider 1665 not fixed / standard, TS 0, TS 1, S _T = 3 mm	57327
4	Divider 1665 fixed / grid 2.5 mm, TS 0, TS 1, S _T = 3 mm	57328
5	Divider 1665 / for height separation with horizontal divider TS 3, S _T = 8 mm	57329
	Twin-Divider 1665 / for height separation with horizontal divider TS 3, S _T = 3 mm	57375
6	Al-hollow profile 11 x 4, for height separation TS 1 (L = B _i - 1 mm), TS 3 ³	5803
7	Adapter for Al-horizontal divider / with Al-hollow item 6 and divider item 5 ^{4,5}	72500

Item	Plastic horizontal divider for height separation with divider item 5 ⁵								
8	center-to-center a_x	16	18	23	28	32	33	38	43
	Material No.	71514	52580	52581	52582	71515	52583	52584	52585
	center-to-center a_x	48	58	64	68	78	80	88	96
	Material No.	71516	52587	71517	52588	52589	71518	52590	71519
	center-to-center a_x	112	128	144	160	176	192	208	-
Material No.	71520	71521	71522	71523	71524	71525	71526	-	

¹ Item 2: Material number for 1 single part

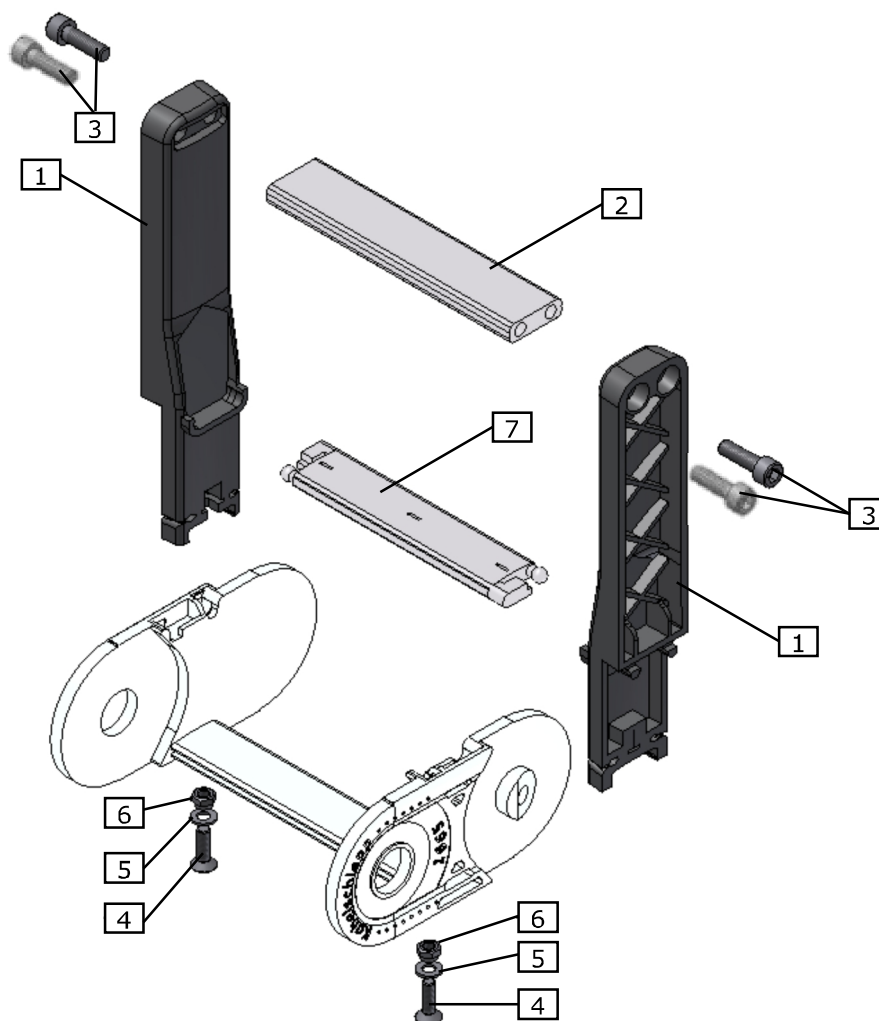
² Material number for 1 piece cable carrier with brackets assembled, 15 chain links = 1000 mm

³ Please indicate length at order, max. 3 m

⁴ L(Al-hollow profile) = a_x - 18 mm, a_{x, min} = 42 mm

⁵ Chamber width = a_x - 8 mm, a_x = center-to-center dividers, thickness: 4 mm

1665 Mounting stay



Item	Type Mounting Stay 1665	125	150	175	200	225	250
1	$H_{i,AS}$ in mm ¹	114	139	164	189	214	239
	Material number	57362	57363	57364	57365	57366*	57367*

Item	Description / Remarks	Mat.-No.
2	Frame stay profile, $L = B_i - 1$ mm	5800
3	Hexagonal socket head cap screw M6 x 25 self cutting	22061
4	Hexagonal socket countersunk head screw DIN 7991 M5 x 16 (for optional screw connecting)	21167
5	Washer DIN 125 D5,3 (for optional screw connecting)	27810
6	Hexagonal nut DIN 985 M5 (for optional screw connecting)	27035

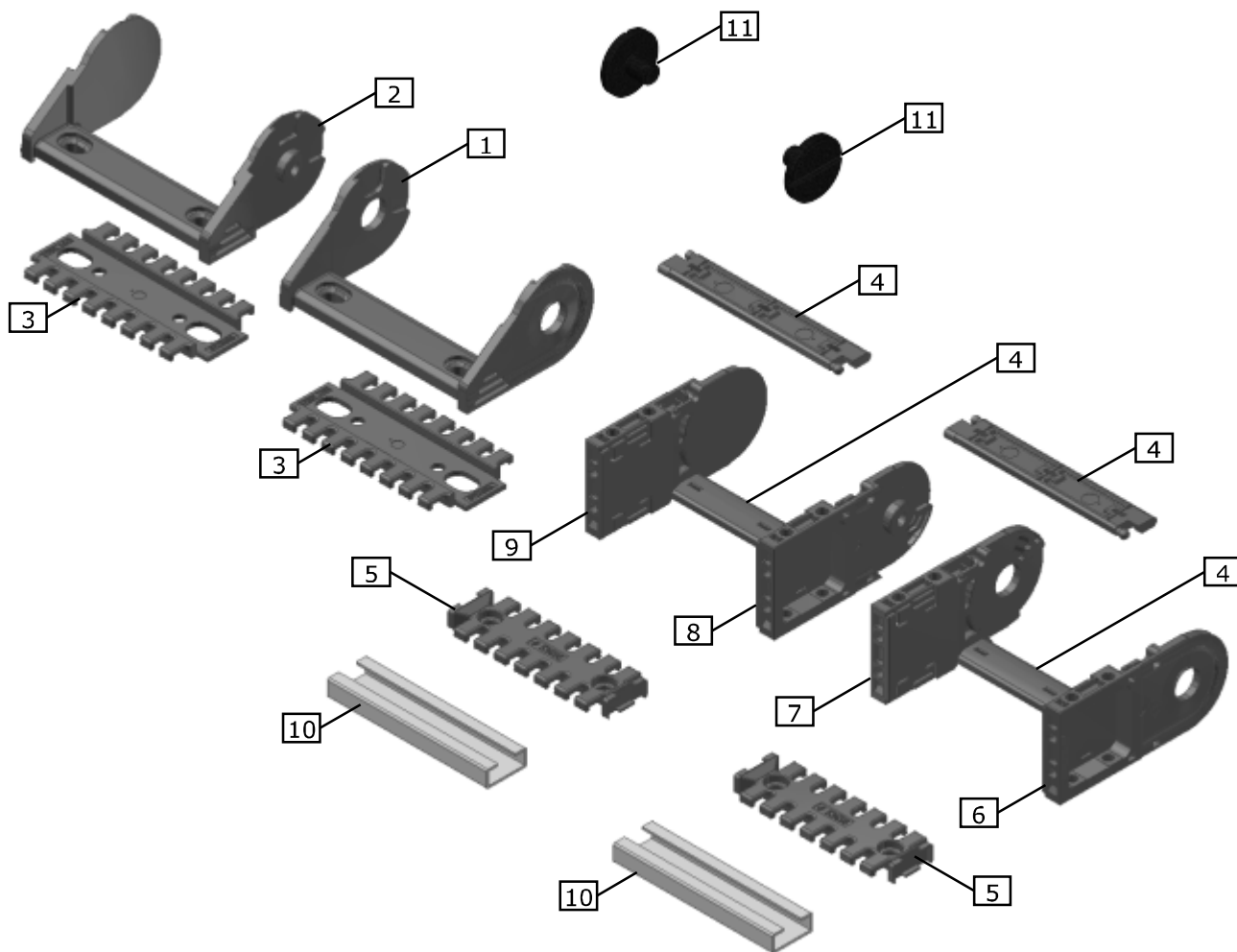
Item	Bracket For Mounting Stay 1665	B_i 75	B_i 100	B_i 125	B_i 150	B_i 175	B_i 200	B_i 225	B_i 250
7	$B_i - 25$ mm	50	75	100	125	150	175	200	225
	Material number	57310	57311	57312	57314	57315	57316	57317	57318

Remarks:

- The mounting stay can be fitted with chain links design 030 or 040 depending on mounting position.
- Use brackets $B_i - 25$ mm
- The usable interior width inside the chain links is $B_i - 20$ mm
- The interior width inside mounting stay is $B_i - 9$ mm
- Optional screw connecting of mounting stay is possible

¹ Interior height in area mounting stay

Connectors 1665



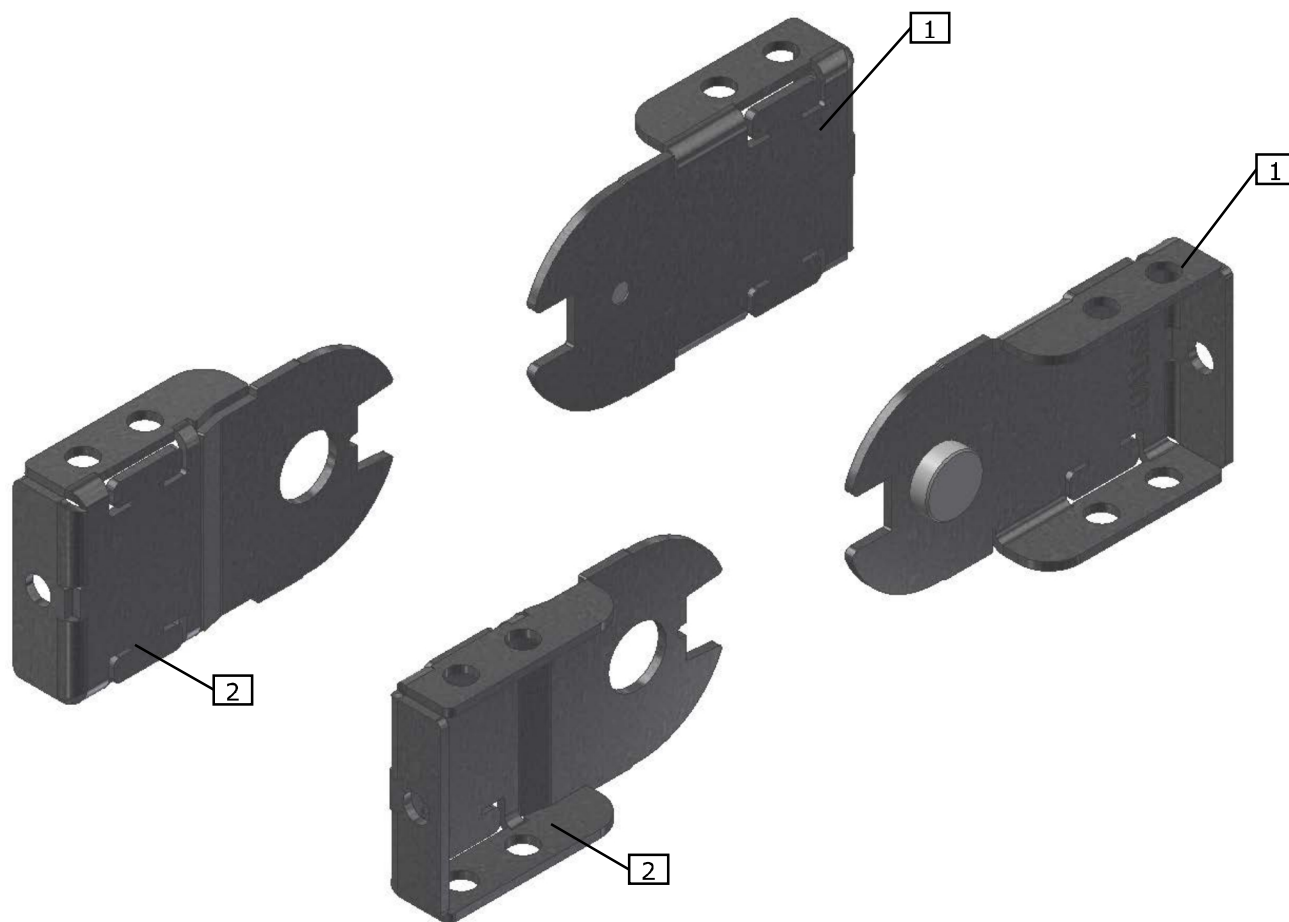
Item	Description / Remarks	B _i 50	B _i 75	B _i 100	B _i 125
1	Connecting piece 1665 driver / plastic	57330	57332	57334	57338
2	Connecting piece 1665 fixed point / plastic	57331	57333	57335	57339
3	Strain relief 1665/ plastic	57350	57351	57352	57354
4	Bracket 1665 / plastic	57310	57311	57312	57314
5	Strain relief UMB 1665 / for item 6 - 9, standard, plastic	76550	76551	76552	76553

Item	Description / Remarks	B _i 150	B _i 175	B _i 200	B _i 225	B _i 250
1	Connecting piece 1665 driver / plastic	57340	57342	57344	57346	57348
2	Connecting piece 1665 fixed point / plastic	57341	57343	57345	57347	57349
3	Strain relief 1665/ plastic	57355	57356	57357	57358	57359
4	Bracket 1665 / plastic	57315	57316	57317	57318	57319
5	Strain relief UMB 1665 / for item 6 - 9, standard, plastic	76554	76555	-	-	-

Item	Description / Remarks	Material No.
6	Universal end connector 1665 driver right side / plastic	57323
7	Universal end connector 1665 driver left side / plastic	57324
8	Universal end connector 1665 fixed point right side / plastic	57325
9	Universal end connector 1665 fixed point left side / plastic	57326
10	Strain relief 25 x 10 / L = B _i + 4 mm, steel	3931
11	Screw with flat head M8 x 10 / additional fixing with chain links	20923

Subject to change.

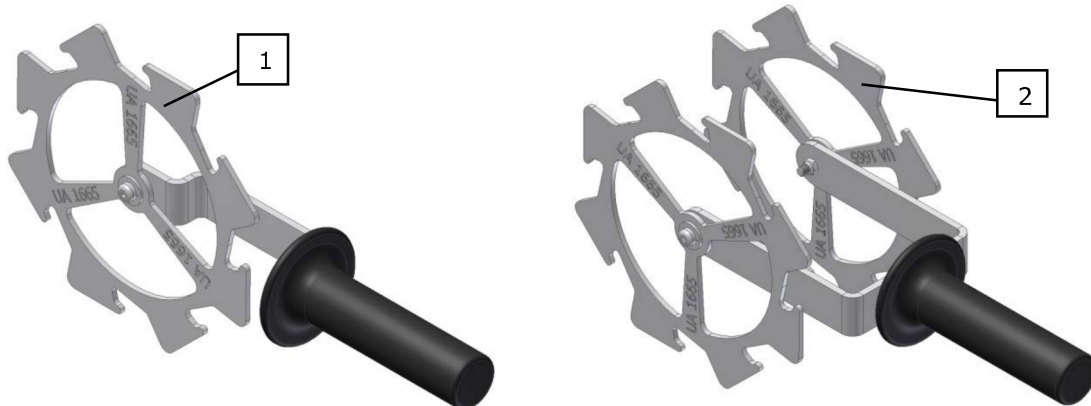
Connectors 1665 made of steel



Item	Description/ Remarks	Material No.
1	Universal mounting bracket 1665 made of steel drivers right/left	54030
2	Universal mounting bracket 1665 made of steel fixed point right/left	54032

Item	Description	B _i 50	B _i 75	B _i 100	B _i 125	B _i 150	B _i 175
3	Strain relief element UMB 1665 / für Pos. 1+2, Standard, plastic (no picture)	76550	76551	76552	76553	76554	76555

Accessories: Quick Opening Tool



Pos.	Benennung / Bemerkungen	Materialnummer
1	Quick Opening Tool 1665 Single	16100
2	Quick Opening Tool 1665 Twin	16099

IDEAS AROUND THE MACHINE

CABLE CARRIER SYSTEMS

Cable carriers made of steel and plastic
QUANTUM cable and hose carrier system
PROTUM cable and hose carrier system
ROBOTRAX cable and hose carrier system

TRAXLINE

Continuous bending hi-flex cables for cable carrier
TOTALTRAX complete turn-key carrier systems
Pre-assembled cables

GUIDEWAY PROTECTION SYSTEMS

Telescopic covers
Link apron covers
Way wipes
Conical spring covers
Bellows
Protective devices

CONVEYOR SYSTEMS

Hinged belt conveyors
Scraper conveyors
Belt conveyors

TSUBAKI KABELSCHLEPP GmbH

Daimlerstraße 2
D-57482 Wenden-Gerlingen
Fon: +49 2762 4003-0
Fax: +49 2762 4003-220
E-mail: info@kabelschlepp.de
kabelschlepp.de

TSUBAKI KABELSCHLEPP worldwide

For contacts, addresses and
much more, visit our web site at
kabelschlepp.de